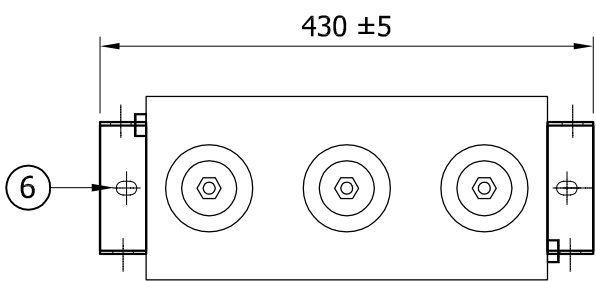


The reproduction, transmission or use of this document or its contents is not permitted without express written authority. Offenders will be liable for damages. All rights, including rights created by patent grant or registration of a utility model or design, are reserved.

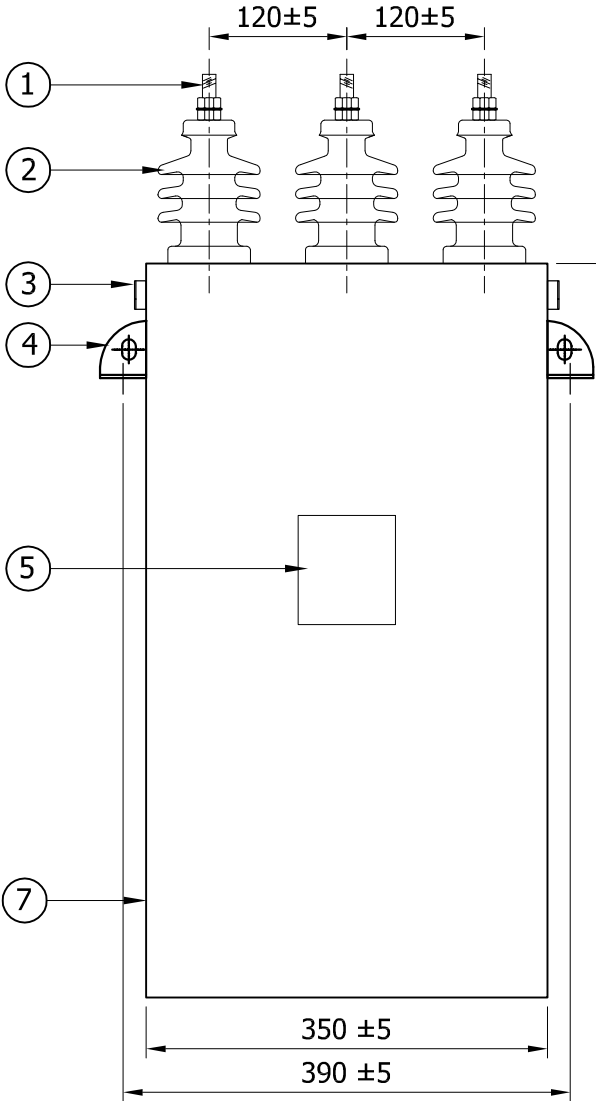
La divulgación y reproducción de este documento así como el aprovechamiento de su contenido, no están autorizados, a no ser que se obtenga el consentimiento expreso para ello. Los infractores quedan obligados a la indemnización por daños y perjuicios. Se reservan todos los derechos, en particular para el caso de concesión de Patente o de Modelo de utilidad.

Weitergabe sowie Vervielfältigung dieser Unterlage, Bewertung und Mitteilung ihres Inhalts nicht gestattet, soweit nicht ausdrücklich zugestanden. Zuwiderhandlungen verpflichten zu Schadenersatz. Alle Rechte vorbehalten, insbesondere für den Fall der Patenterteilung oder GM-Entragung.

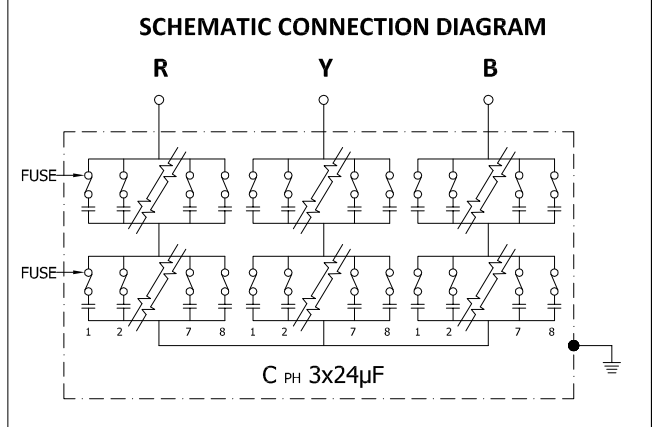
1 2 3 4 5



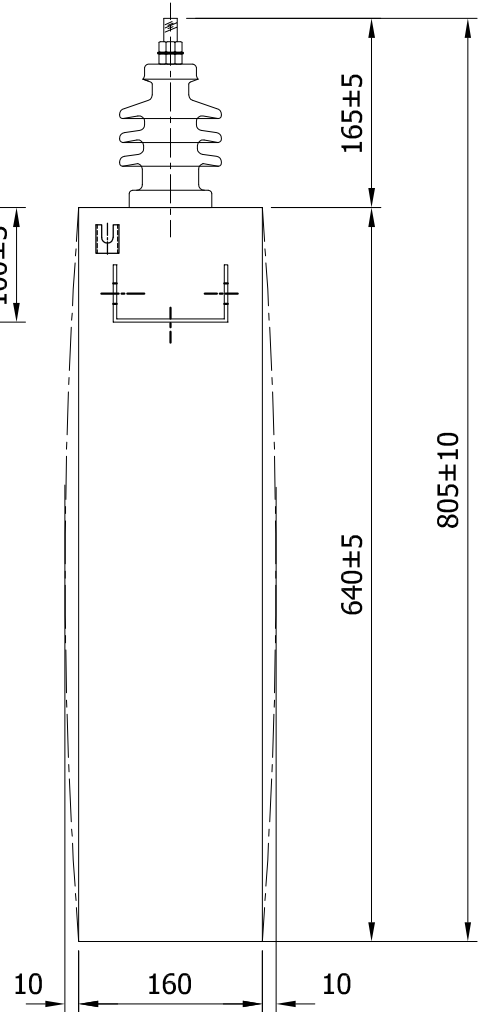
TOP VIEW



FRONT VIEW



SCHEMATIC CONNECTION DIAGRAM

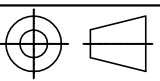
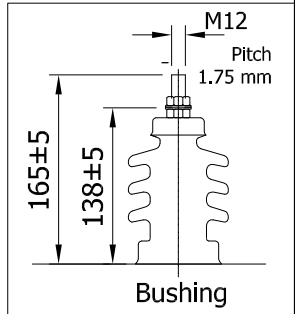


SIDE VIEW

SACH CODE : B25161F0300M000

ITEM NO	DESCRIPTION	MATERIAL	QTY
1	TERMINAL M12 (2NUT & 2 PLAIN -WASHER)	BRASS	3
2	BUSHING	PORCELAIN ( BROWN )	3
3	EARTHING BRACKET	STAINLESS STEEL ( GRADE-409)	2
4	LIFTING BRACKET	STAINLESS STEEL ( GRADE-409)	2
5	RATING PLATE	POLYESTER	1
6	MOUNTING SLOT-12X18 MM	-	2
7	CONTAINER	STAINLESS STEEL ( GRADE-409)	1

- Note :-
- 1- BIL:20/60
  - 2- Capacitor unit with internal element fuse.
  - 3- Paint Shade 631 as per IS -5 (Light grey)
  - 4- Capacitor Unit approximate weight 55±5 kg
  - 5- Capacitor Unit for indoor application
  - 6- Use insulating shroud/barrier between terminals if required
  - 7- Number of series groups-2 per phase  
number of parallel elements-8 per group



Critical ▼	General tolerance ±10 %	Surface quality Light grey Paint	Scale: N.T.S.	All dimensions are in mm	
To be controlled ◇			Material: As specified above		
3		Date 01.09.15	Product group: HT APP capacitor unit		
		Drawn <i>GFB</i>	Drawn for: Information purpose		
2		Checked <i>JG</i>	Customer: General market		
		Standard ---	Title:- GAD for 300 kVAr, 6.3 kV, 50 Hz, 3-φ, Y, Capacitor unit with internal element fuse.		
1		 EPCOS INDIA PVT. LTD. A TDK GROUP COMPANY		Drawing no.PQC-B-GAD-15051	Page 1 of 1
Rev.	Modification			Date	Name

IF IN DOUBT, ASK.

1

2

3

4

5

The reproduction, transmission or use of this document or its contents is not permitted without express written authority. Offenders will be liable for damages. All rights, including rights created by patent grant or registration of a utility model or design, are reserved.

La divulgación y reproducción de este documento así como el aprovechamiento de su contenido, no están autorizados, a no ser que se obtenga el consentimiento expreso para ello. Los infractores quedan obligados a la indemnización por daños y perjuicios. Se reservan todos los derechos, en particular para el caso de concesión de Patente o de Modelo de utilidad.

Weitergabe sowie Vervielfältigung dieser Unterlage, Verwertung und Mitteilung ihres Inhalts nicht gestattet, soweit nicht ausdrücklich zugestanden. Zuwiderhandlungen verpflichten zu Schadensersatz. Alle Rechte vorbehalten, insbesondere für den Fall der Patenterteilung oder GM-Eintragung.



## HT POWER FACTOR CORRECTION CAPACITOR

$Q_N$ 300 kVAr	$U_N$ 6.3 kV	$f_N$ 50 Hz
Connection 3 $\phi$ Y	$I_N$ 27.5 A	$U_i$ 20/60 kV
Discharge Device (I)	Fuse I	$C_N$ (L-L) 12 $\mu$ F
Impregnant NPCB	Dielectric PP	Temp. Cat -20/C
Serial No.	Approx. wt. kg	
REFERENCE STANDARD IEC 60871-1:2005, IS 13925 (1):2012		
<b>DISCHARGE CAPACITORS BEFORE HANDLING</b>		

Critical	▼	General tolerance	Surface quality	Scale: N.T.S.	All dimensions are in mm	
To be controlled	◇	NA	Legible	Material: NA		
3			Date	01.09.15	Product group: APFC Capacitor bank	
			Drawn	<i>GFB</i>	Drawn for: Information purpose	
2			Checked	<i>JG</i>	Customer: General market	
			Standard	---	Title: 300 kVAr, 6.3 kV, 50 Hz, 3- $\phi$ , Y, Capacitor unit.	
1					Name Plate Details	
Rev.	Modification	Date	Name	EPCOS INDIA PVT. LTD. A TDK GROUP COMPANY		Drawing no. PQC-B-CRP-15051
						Page 1 of 1
						Rev.0

IF IN DOUBT, ASK.